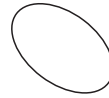


Pull Handles

Oval Series



66 6635 ■

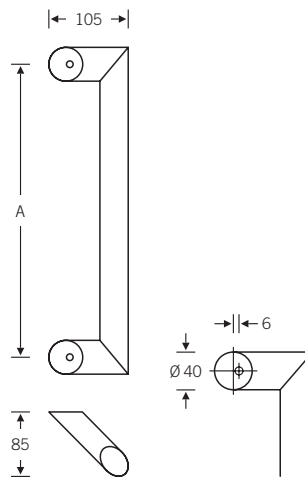
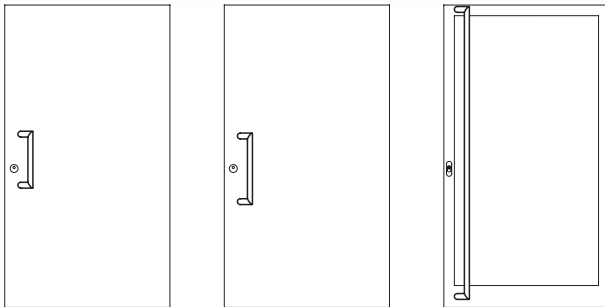
| Items nos. | A | Ø |
|-------------|----------|---------|
| 66 6635 038 | 350 | 40 × 28 |
| 66 6635 045 | 450 | 40 × 28 |
| 66 6635 099 | 451–2100 | 40 × 28 |



The door handle design FSB 66 6635 was the first product in FSB's oval series. A comfortable oval tube (Ø 40 × 28 mm) is to be aligned ergonomically so that the hand can grip safely and efficiently. This aim was achieved by mitre welding the handle and support at a 90° angle. This provided a counterpoint to the soft bends of the handle design in round tubes.

Special lengths are available per the chart above. Order 6635 099 and add distance (A) in parenthesis.

Fastening M8



All details subject to modification

Fastening Methods (Details on page 67)

- A** Back-to-Back
- B** Through-Bolted
- C** Concealed - Threaded Insert